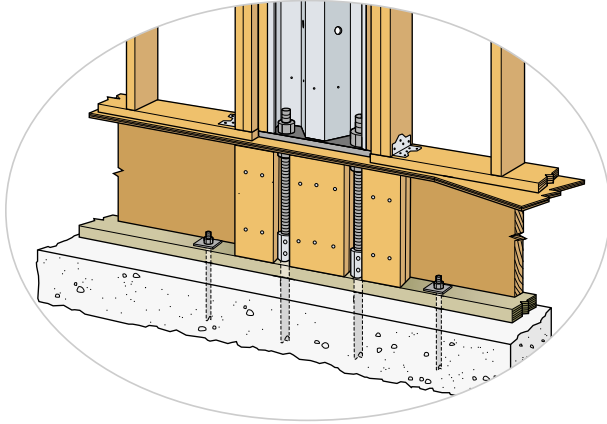


Steel Strong-Wall®: Balloon-Framing Application

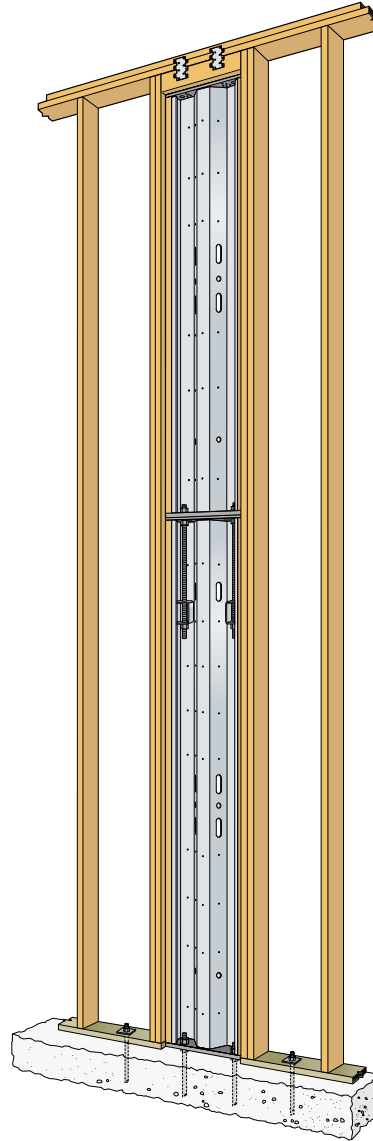


STEEL STRONG-WALL®

See pages 77-78 for installation information.



Wood-Floor Installation
See page 17 for Wood-Floor Connection Kit at wood first story



STEEL STRONG-WALL® BALLOON FRAMING – BOTTOM-WALL MODELS

Model No.	W (in)	H (in)	T (in)	Anchor Bolts	
				Qty.	Dia.
SSW15x8-STK	15	93¼	3½	2	1"
SSW15x10-STK	15	117¼	3½	2	1"
SSW18x8-STK	18	93¼	3½	2	1"
SSW18x10-STK	18	117¼	3½	2	1"
SSW21x8-STK	21	93¼	3½	2	1"
SSW21x10-STK	21	117¼	3½	2	1"
SSW24x8-STK	24	93¼	3½	2	1"
SSW24x10-STK	24	117¼	3½	2	1"

- See page 16 for product data on top walls.
- See page 17 for First-Floor Connection Kit when installed on a wood first story.

STACKED-WALL SOLUTION FOR BALLOON FRAMING

BALLOON-FRAMING WALL CONNECTION KIT

Model No.	Contents
SSWBF-KT	(2) 1" x 25" Threaded Rods F1554 Grade 36 (4) Heavy Hex Nuts Installation Instructions

- Two heavy hex nuts included with each wall.

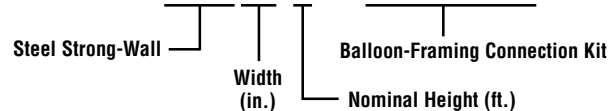
WOOD-BLOCK-TO-TOP-PLATE CONNECTION

Strong-Wall® Width	Total Connectors	Recommended Connectors
15" Wall	4 (2 Each Side)	Simpson Strong-Tie® LTP4 or A35
18" Wall	4 (2 Each Side)	
21" Wall	6 (3 Each Side)	
24" Wall	6 (3 Each Side)	

- Alternate connectors with equivalent shear capacity may be specified by the Designer.

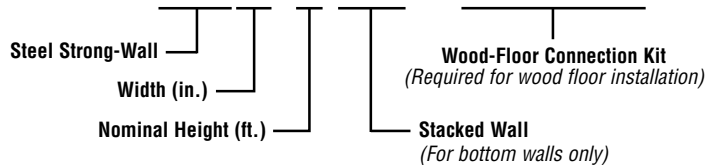
NAMING SCHEME

Top Wall: **SSW18x8 w/ SSWBF-KT**



Bottom Wall:

SSW18x10-STK w/ SSW18-1KT (where applies)



Suggested Example Specification: SSW18x8 with SSWBF-KT over SSW18x10-STK