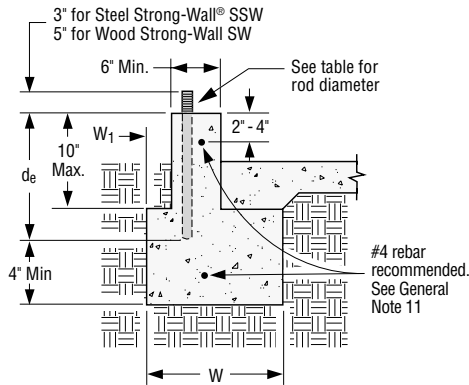


ADDITIONAL POST-INSTALLED ADHESIVE ANCHORAGE SOLUTIONS (WHERE APPLICABLE)

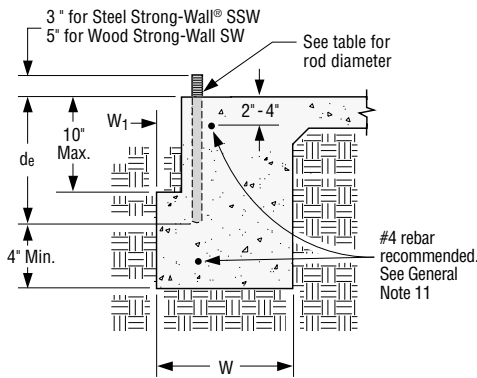
Minimum Concrete Strength, f'_c (psi)	Anchorage Classification	Post-Installed Anchor (Adhesive)				
		Minimum Footing Width, W/W_1 (in)			Minimum Footing Length, L (in)	Minimum Embedment Depth, d_e (in)
		Steel Strong-Wall®: 12" Wide Models, ¾" Anchor Rod	Steel Strong-Wall®: 15" and Wider, 1" Anchor Rod	Wood Strong-Wall®: All Models, ¾" Anchor Rod		
2500	C	18 / 6	18 / 6	18 / 6	9	16
	D	22 / 8	22 / 8	22 / 8	15	20
	E	NS	26 / 12	28 / 12	15	20
3000	C	18 / 6	18 / 6	18 / 6	9	16
	D	22 / 8	22 / 8	22 / 8	15	20
	E	NS	26 / 12	26 / 10	15	20
3500	C	18 / 6	18 / 6	18 / 6	9	16
	D	22 / 8	22 / 8	22 / 8	15	20
	E	NS	26 / 12	24 / 10	15	20

- Anchor rods of the diameter indicated in the table shall be ASTM F1554 Grade 36 or ASTM A36 minimum threaded rods.
- Post-installed solutions must be installed with Simpson Strong-Tie® SET-XP™, SET or AT Acrylic-Tie® anchoring adhesives.
- Simpson Strong-Tie SET-XP™ anchoring adhesive may be required in some building jurisdictions.
- SW mudsill anchors shall be ¾" diameter x 12" long minimum embedded 7". For post-installed adhesive installation, use ¾" diameter x 10" long all-thread rod minimum (model RFB#5x10) embedded 5".
- NS = No solution available.
- See general note 11 for additional anchorage and foundation information.

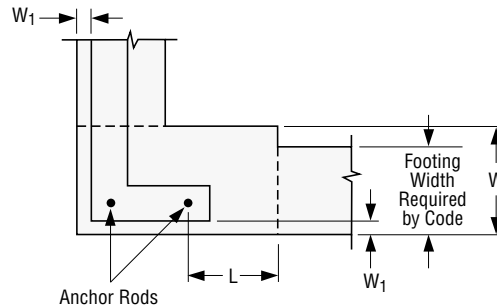
Slab on Grade



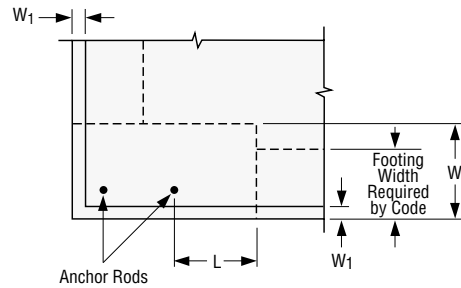
**Section View
Additional Adhesive Application**



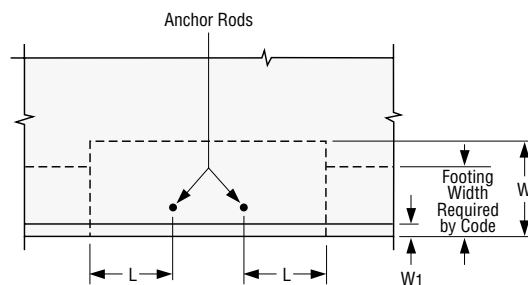
**Section View
Additional Adhesive Application**



**Plan View – Garage Front
Additional Adhesive Application**



**Plan View – Corner Installation
Additional Adhesive Application**



**Plan View – Interior Installation
Additional Adhesive Application**