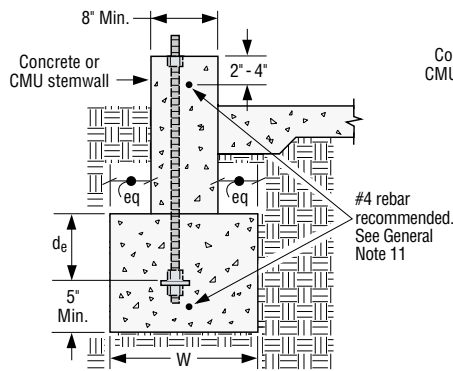


STEEL STRONG-WALL®: 12" WIDE MODELS (3/4" DIAMETER ANCHOR)

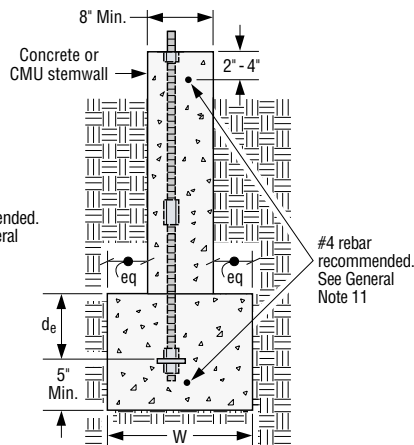
Minimum Concrete Strength, f'_c (psi)	Anchorage Classification	Anchor Bolt Type	Cast-in-Place Anchor ⁴			Post-Installed Anchor (Adhesive) ^{2,3,5,6}			
			Footing Width, W (in)	Minimum Footing Length, L (in)	Minimum Embedment Depth, d_e (in)	Footing Width, W (in)	Minimum Footing Length, L (in)	Embedment Depth, d_e (in)	
								All Installations	
				SET-XP™/SET	AT				
2500	A	SSWAB $\frac{3}{4}$ "	12	9	6	12	9	6	6
	B	SSWAB $\frac{3}{4}$ "	12	12	8	16	12	6	8
	C	SSWAB $\frac{3}{4}$ "	18	12	8	20	12	6	8
	D	SSWAB $\frac{3}{4}$ "	24	12	8	26	12	8	8
	E	SSWAB $\frac{3}{4}$ HS	24	18	12	NS	NS	NS	NS
	F	SSWAB $\frac{3}{4}$ HS	30	18	12	NS	NS	NS	NS
3000	A	SSWAB $\frac{3}{4}$ "	12	9	6	12	9	6	6
	B	SSWAB $\frac{3}{4}$ "	12	12	8	16	12	6	8
	C	SSWAB $\frac{3}{4}$ "	18	9	6	20	12	6	8
	D	SSWAB $\frac{3}{4}$ "	24	9	6	26	12	8	8
	E	SSWAB $\frac{3}{4}$ HS	24	15	10	NS	NS	NS	NS
	F	SSWAB $\frac{3}{4}$ HS	30	15	10	NS	NS	NS	NS
3500	A	SSWAB $\frac{3}{4}$ "	12	9	6	12	9	6	6
	B	SSWAB $\frac{3}{4}$ "	12	12	8	16	12	6	8
	C	SSWAB $\frac{3}{4}$ "	18	9	6	20	12	6	8
	D	SSWAB $\frac{3}{4}$ "	18	15	10	26	12	8	8
	E	SSWAB $\frac{3}{4}$ HS	24	15	10	NS	NS	NS	NS
	F	SSWAB $\frac{3}{4}$ HS	24	21	14	NS	NS	NS	NS

- See page 69 for additional CMU garage-front requirements.
- Post-installed anchor rods shall be $\frac{3}{4}$ " diameter ASTM F1554 Grade 36 or ASTM A36 minimum threaded rods.
- Post-installed solutions must be installed with Simpson Strong-Tie® SET-XP™, SET or AT Acrylic-Tie® anchoring adhesives.
- When deeper embedment is required for cast-in-place solutions, use PAB or PAB HS with SSWHSR.
- When deeper embedment is required for adhesive solutions, use ATR with SSWHSR.
- Simpson Strong-Tie SET-XP™ anchoring adhesive may be required in some building jurisdictions.
- NS = No solution available.
- See general note 11 for additional anchorage and foundation information.
- CMU shall be grout-filled at Strong-Wall® location minimum, and fully grouted where required by code.

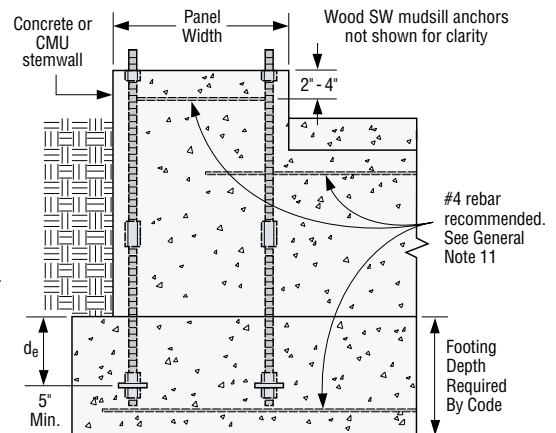
Concrete/CMU Stemwall (Anchorage into Footing)



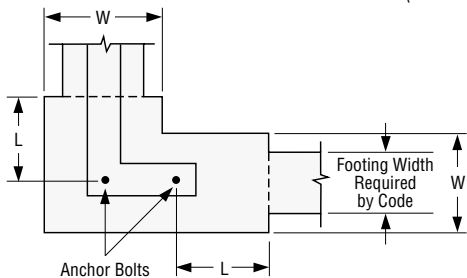
Section View SSWAB Application
(SWAB similar)



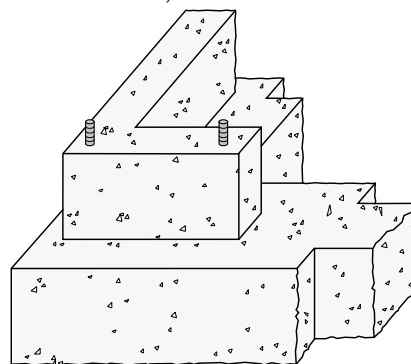
Section View PAB and SSWHSR Extension Application
(SWAB and CNW $\frac{3}{8}$ with ATR similar)



Elevation View PAB and SSWHSR Extension Application
(SWAB and CNW $\frac{3}{8}$ with ATR similar)



Plan View - Garage Front Cast-in-Place Application



Perspective View - Garage Front

SSWAB GARAGE-FRONT AND PERIMETER DETAILS

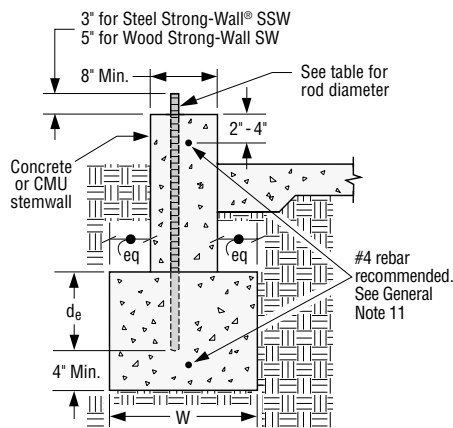
- See page 67 for post-installed anchor (adhesive) garage-front and perimeter details.
- See page 68 for additional SSWAB garage-front and perimeter details.

STEEL STRONG-WALL®: 15" AND WIDER MODELS (1" DIAMETER ANCHOR)

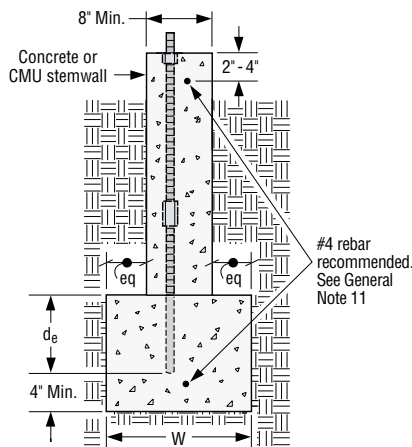
Minimum Concrete Strength, f'_c (psi)	Anchorage Classification	Cast-in-Place Anchor ⁴				Post-Installed Anchor (Adhesive) ^{2,3,5,6}			
		Anchor Bolt Type	Footing Width, W (in)	Minimum Footing Length, L (in)	Minimum Embedment Depth, d_e (in)	Footing Width, W (in)	Minimum Footing Length, L (in)	Embedment Depth, d_e (in)	
								All Installations	
						SET-XP™/SET	AT		
2500	A	SSWAB1	12	9	6	12	9	6	6
	B	SSWAB1	12	12	8	16	12	6	8
	C	SSWAB1	18	12	8	20	12	6	8
	D	SSWAB1	24	12	8	24	15	8	10
	E	SSWAB1	24	18	12	30	15	10	10
	F	SSWAB1	30	18	12	NS	NS	NS	NS
	G	SSWAB1HS	36	21	14	NS	NS	NS	NS
	H	SSWAB1HS	36	33	22	NS	NS	NS	NS
3000	A	SSWAB1	12	9	6	12	9	6	6
	B	SSWAB1	12	12	8	16	12	6	8
	C	SSWAB1	18	9	6	20	12	6	8
	D	SSWAB1	24	9	6	24	15	8	10
	E	SSWAB1	24	15	10	30	15	8	10
	F	SSWAB1	30	15	10	NS	NS	NS	NS
	G	SSWAB1HS	36	18	12	NS	NS	NS	NS
	H	SSWAB1HS	36	30	20	NS	NS	NS	NS
3500	A	SSWAB1	12	9	6	12	9	6	6
	B	SSWAB1	12	12	8	16	12	6	8
	C	SSWAB1	18	9	6	20	12	6	8
	D	SSWAB1	18	15	10	24	15	8	10
	E	SSWAB1	24	15	10	30	15	8	10
	F	SSWAB1	24	21	14	NS	NS	NS	NS
	G	SSWAB1HS	30	24	16	NS	NS	NS	NS
	H	SSWAB1HS	36	24	16	NS	NS	NS	NS

- See page 69 for additional CMU garage-front requirements.
- Post-installed anchor rods shall be 1" diameter ASTM F1554 Grade 36 or ASTM A36 minimum threaded rods.
- Post-installed solutions must be installed with Simpson Strong-Tie® SET-XP™, SET or AT Acrylic-Tie® anchoring adhesives.
- When deeper embedment is required for cast-in-place solutions, use PAB or PAB HS with SSWHSR.
- When deeper embedment is required for adhesive solutions, use ATR with SSWHSR.
- Simpson Strong-Tie SET-XP™ anchoring adhesive may be required in some building jurisdictions.
- NS = No solution available.
- See general note 11 for additional anchorage and foundation information.
- CMU shall be grout-filled at Strong-Wall® location minimum, and fully grouted where required by code.

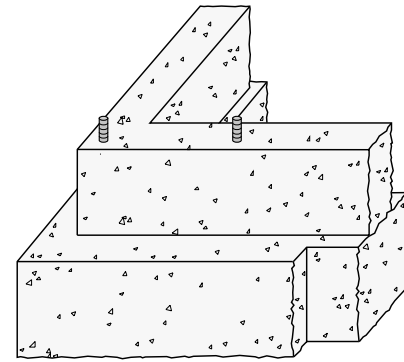
Concrete/CMU Stemwall (Anchorage into Footing)



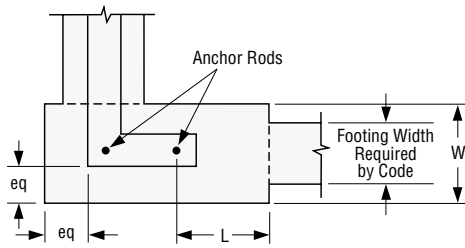
Section View Adhesive Application



Section View Adhesive with SSWHSR Extension Application
(Adhesive with CNW% and ATR similar)



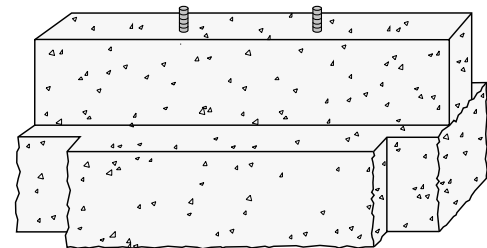
Perspective View Corner Installation



Plan View - Garage Front Adhesive Application

POST-INSTALLED ANCHOR (ADHESIVE) GARAGE-FRONT AND PERIMETER DETAILS

- See pages 66 and 68 for SSWAB garage-front and perimeter details.



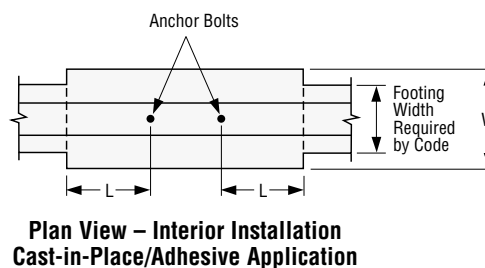
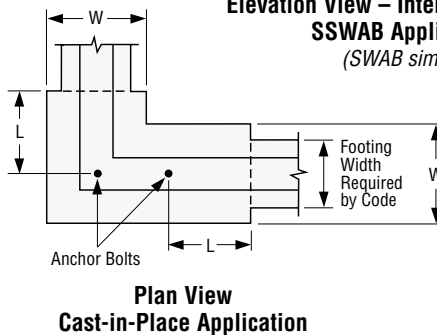
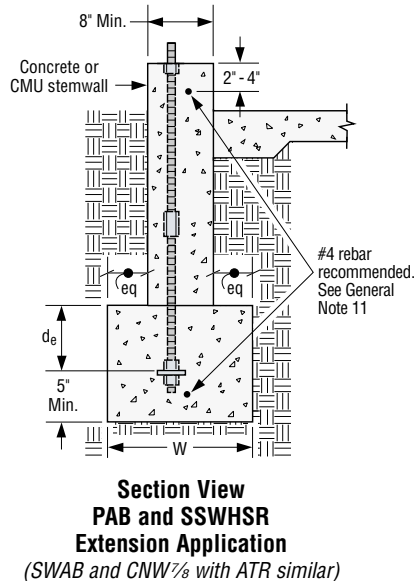
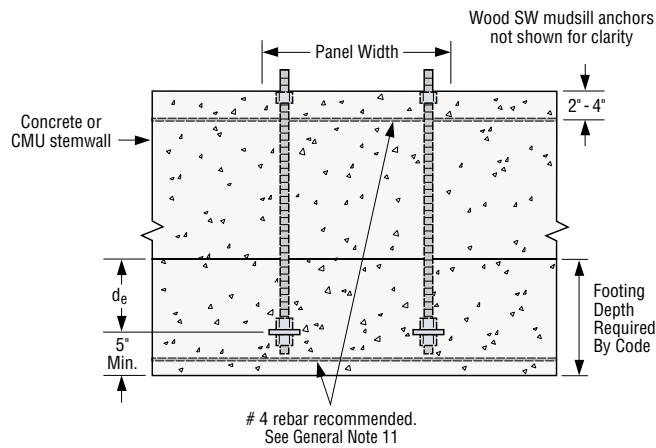
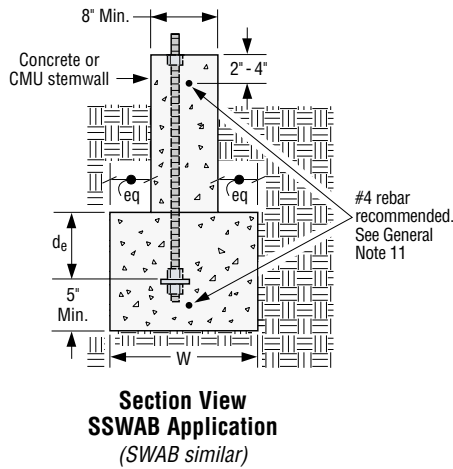
Perspective View Interior Installation

WOOD STRONG-WALL®: ALL MODELS (7/8" DIAMETER ANCHOR)

Minimum Concrete Strength, f'_c (psi)	Anchorage Classification	Anchor Bolt Type	Cast-in-Place Anchor ^{4,7}			Post-Installed Anchor (Adhesive) ^{2,3,5,6,7}			
			Footing Width, W (in)	Minimum Footing Length, L (in)	Minimum Embedment Depth, d_e (in)	Footing Width, W (in)	Minimum Footing Length, L (in)	Embedment Depth, d_e (in)	
								All Installations	
				SET-XP™/SET	AT				
2500	A	SWAB ^{7/8"}	12	9	6	12	9	6	6
	B	SWAB ^{7/8"}	12	12	8	14	12	6	8
	C	SWAB ^{7/8"}	18	12	8	20	12	6	8
	D	SWAB ^{7/8"}	24	12	8	26	12	8	8
	E	SWAB ^{7/8"}	24	18	12	32	15	10	NS
3000	A	SWAB ^{7/8"}	12	9	6	12	9	6	6
	B	SWAB ^{7/8"}	12	12	8	14	12	6	8
	C	SWAB ^{7/8"}	18	9	6	20	12	6	8
	D	SWAB ^{7/8"}	24	9	6	26	12	8	8
	E	SWAB ^{7/8"}	24	15	10	30	12	8	NS
3500	A	SWAB ^{7/8"}	12	9	6	12	9	6	6
	B	SWAB ^{7/8"}	12	9	6	14	12	6	8
	C	SWAB ^{7/8"}	18	9	6	20	12	6	8
	D	SWAB ^{7/8"}	18	15	10	26	12	8	8
	E	SWAB ^{7/8"}	24	15	10	30	12	8	NS

- See page 69 for additional CMU garage-front requirements.
- Post-installed anchor rods shall be 7/8" diameter ASTM F1554 Grade 36 or ASTM A36 minimum threaded rods.
- Post-installed solutions must be installed with Simpson Strong-Tie® SET-XP™, SET or AT Acrylic-Tie® anchoring adhesives.
- When deeper embedment is required for cast-in-place solution, use SWAB^{7/8"} with CNW^{7/8"} and ATR.
- When deeper embedment is required for adhesive solutions, use ATR with CNW and additional ATR as required.
- Simpson Strong-Tie SET-XP™ anchoring adhesive may be required in some building jurisdictions.
- SW mudsill anchors shall be 5/8" diameter x 12" long minimum embedded 7". For post-installed adhesive installation, use 5/8" diameter x 10" long all-thread rod minimum (model RFB#5x10) embedded 5".
- NS = No solution available.
- See general note 11 for additional anchorage and foundation information.
- CMU shall be grout-filled at Strong-Wall® location minimum, and fully grouted where required by code.

Concrete/CMU Stemwall (Anchorage into Footing)



SWAB GARAGE-FRONT AND PERIMETER DETAILS

- See page 66 for additional SWAB garage-front and perimeter details.
- See page 67 for post-installed anchor (adhesive) garage-front and perimeter details.