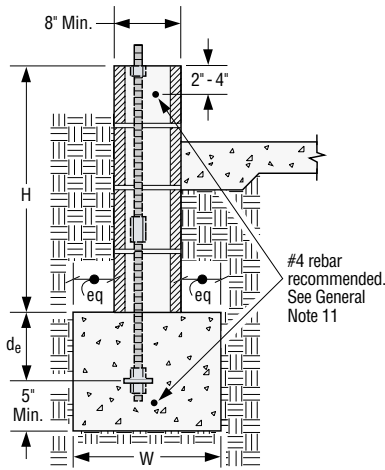


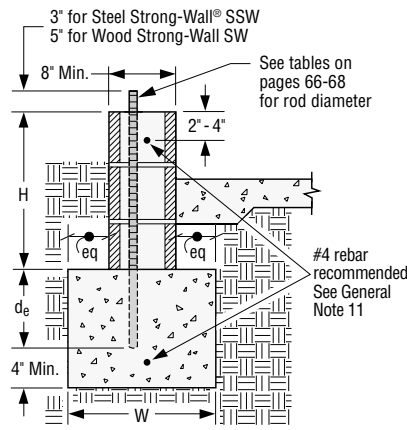
## ADDITIONAL CMU GARAGE-FRONT REQUIREMENTS

Wall Model	CMU Pier Width Required, Wp (in)	Maximum CMU Pier Height, H (in)
SSW12	16	32
SSW15	16	48
SSW18	24	48
SSW21	24	48
SSW24	32	48
SW16	24	48
SW18	24	48
SW22	24	48
SW24	32	48

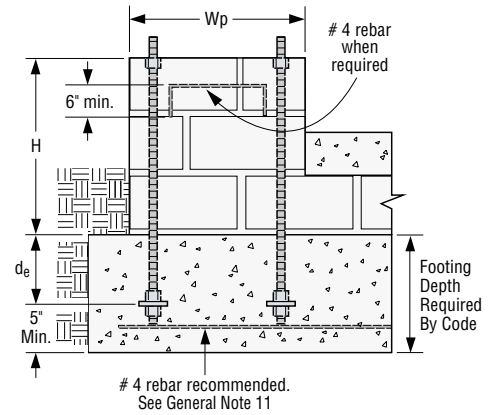
1. Table applies to CMU stemwall foundations when anchorage terminates in footing.
2. One #4 horizontal rebar required in top CMU course for Seismic Design Categories C and higher.
3. CMU stemwall must be grout filled for full pier width minimum, and fully grouted where required by code.
4. Running bond required for garage front CMU stemwall installations.



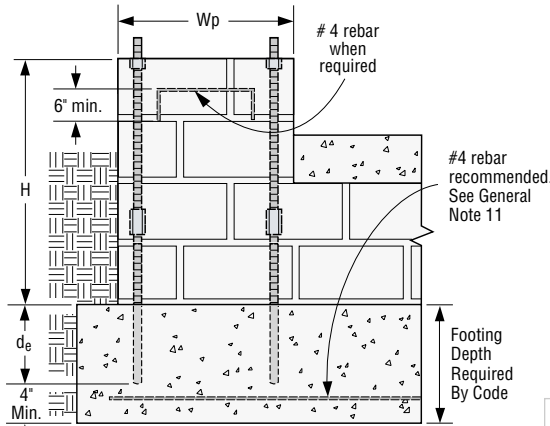
**Section View  
PAB and SSWHSR  
Extension Application**  
(SWAB and CNW% with  
ATR similar)



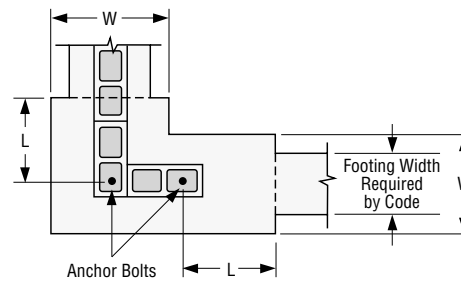
**Section View  
Adhesive Application**



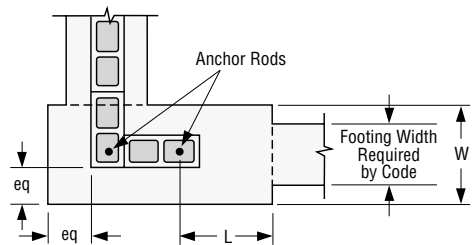
**Elevation View  
SSWAB Application**  
(SWAB similar)



**Elevation View  
Adhesive with SSWHSR Extension Application**  
(Adhesive with CNW% and ATR similar)



**Plan View  
Cast-in-Place Application**



**Plan View  
Adhesive Application**

**CMU GARAGE-FRONT DETAILS**

1. See pages 66 to 68 for anchorage requirements and additional details.

Concrete/CMU Stemwall (Anchorage into Footing)