

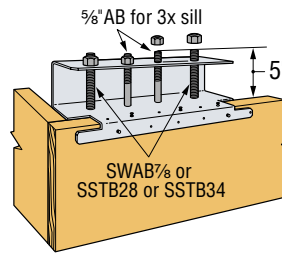
Wood Strong-Wall®: Anchor Templates



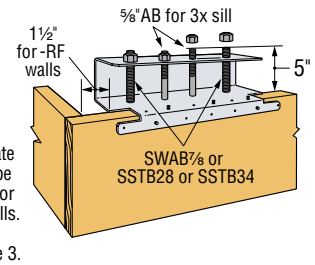
WOOD STRONG-WALL® CONCRETE TEMPLATES

Strong-Wall Model	Width (in)	Strong-Wall® Template Model No.				
		Exterior	Interior	Panel Form	Steel Form	CMU
SW16	16	SWT16	SWI16	SWTPF16	SWTSF16	SWTCMU16
SW18	18	SWT18	SWI18	SWTPF18	SWTSF18	SWTCMU18
SW22	22	SWT22	SWI22	SWTPF22	SWTSF22	SWTCMU22
SW24	24	SWT24	SWI24	SWTPF24	SWTSF24	SWTCMU24

1. The height of the garage curb above the garage slab is critical for rough header opening on portal walls.
2. See Garage Header Rough Opening Height table on page 15.
3. Raised-Floor Wood Strong-Wall® shearwalls require 1½" of concrete on either side. Allow 1½" of concrete on either side of the template if the design is for a wood 1st-floor or 2nd-floor application.
4. For RF Raised-Floor walls, use the corresponding Standard Wood Strong-Wall shearwall template as required.
5. Templates are recommended and are required in some jurisdictions.
6. Templates are the same for 4" or 6" thick walls.
7. Templates are reusable.

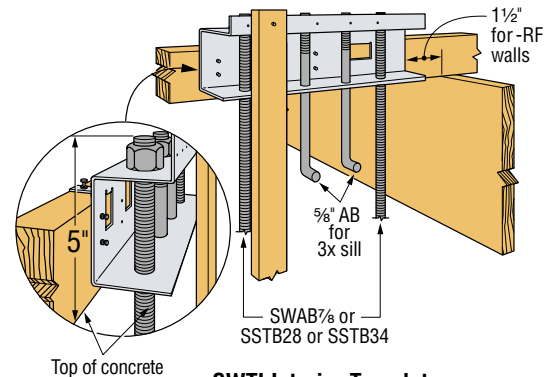


SWT Exterior Template
(For 2x form boards)

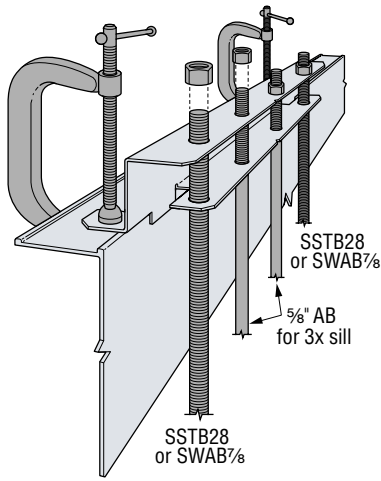


Template must be set in for -RF walls. See footnote 3.

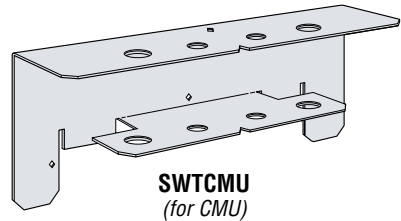
SWT Exterior Template
(For 2x form boards, raised-floor installation)



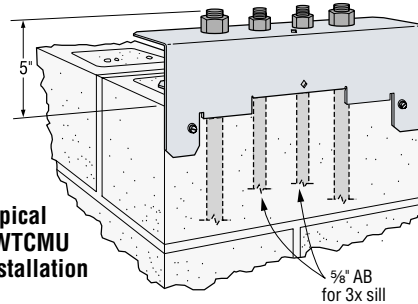
SWTI Interior Template
(For 2x4 above concrete)



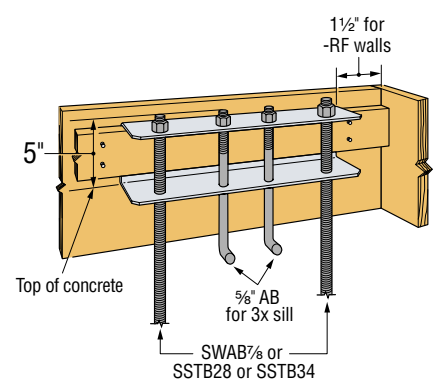
SWTSF Template
(For steel form systems)



SWTCMU
(for CMU)



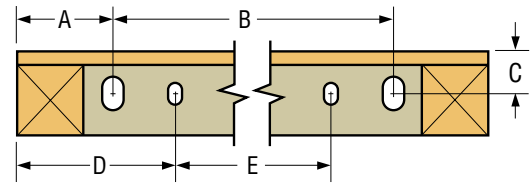
Typical SWTCMU Installation



SWTPF Template
(For plywood panel forms)

WOOD STRONG-WALL® PANEL ANCHOR-BOLT LAYOUT

Wall Model	Distance From End of Wall to Center of SSTB's (A)	Distance From Center to Center of SSTB's (B)	Distance From Exterior Face of Sheathing to Center of All Bolts ³ (C)	Distance From End of Wall to Center of Mudsill Anchors (D)	Distance From Center to Center of Mudsill Anchors (E)
SW16	3¾"	8¼"	2¼" ¹	6¾"	2½"
SW18	3¾"	10¼"	2"	7"	4"
SW22	3¾"	14¼"	2¼" ¹	9"	4"
SW24	3¾"	16¼"	2"	8¾"	6¾"



1. SW16 and SW22 sheathing extends ½" past the face of adjacent framing.
2. Templates are recommended and are required in some jurisdictions.
3. Dimension is the same for 4" or 6" thick wall models.