

STEEL STRONG-WALL®: Anchor Bolt Templates

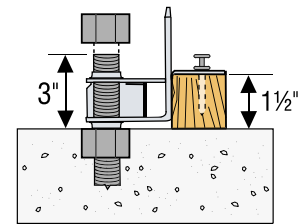
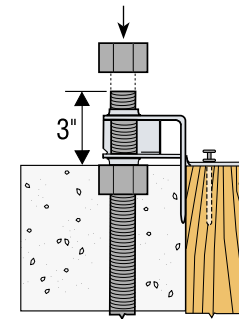
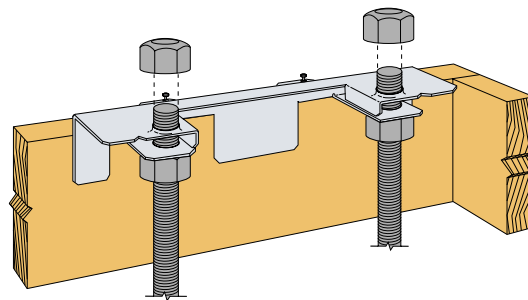
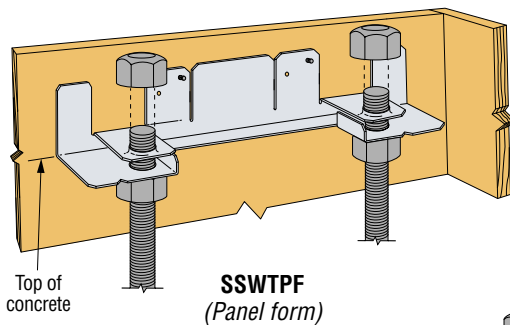
STEEL STRONG-WALL® ANCHOR BOLT TEMPLATES

Steel Strong-Wall Model	Width (in)	Steel Strong-Wall Template Model		
		Reversible	Panel Form	Brick Ledge
SSW12	12	SSWT12	SSWTPF12	SSWTBL12
SSW15	15	SSWT15	SSWTPF15	SSWTBL15
SSW18	18	SSWT18	SSWTPF18	SSWTBL18
SSW21	21	SSWT21	SSWTPF21	SSWTBL21
SSW24	24	SSWT24	SSWTPF24	SSWTBL24

*SSWT templates are reversible. Use the same template for interior or exterior applications. Template and nut configuration patent pending.

1. The height of the garage curb above the garage slab is critical for rough header opening at garage return walls.
2. See Garage Header Rough Opening Height table on page 16.
3. Templates are recommended and are required in some jurisdictions.
4. Foundation design by Designer.
5. Templates are the same for 4" or 6" thick walls.

An additional nut for template installation is provided with each SSWAB. It may also be used for SSW installation.



Anchor Bolt Height

